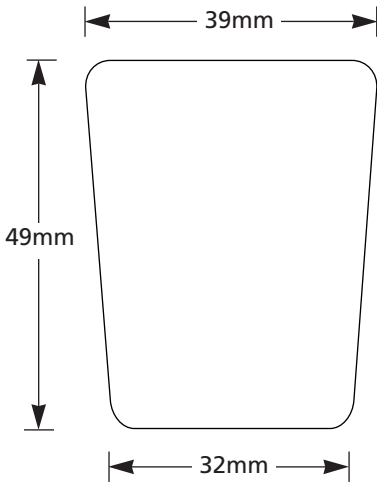
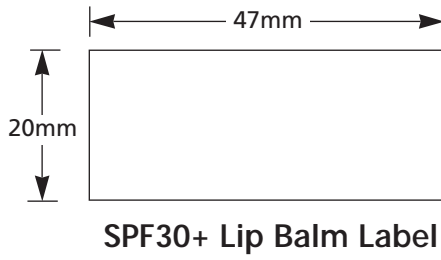


# Label Sizes

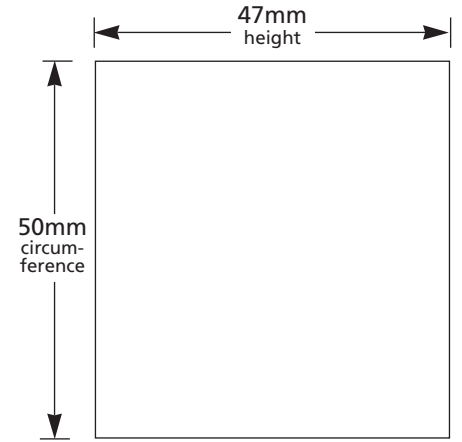
To assist us in producing the your labels, these are the size and artwork specifications we require. Emailing your logo is a start, but you may require copy, phone numbers or a web address on you label as well. If so, please include a layout of your proposed message using a template from the following label shapes.



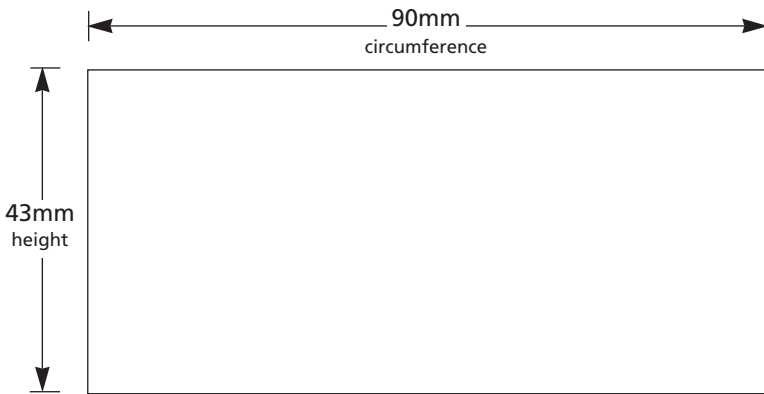
**Sunscreen Lotion, Hand & Nail Cream, Heavy Duty Hand Cleaner Labels**



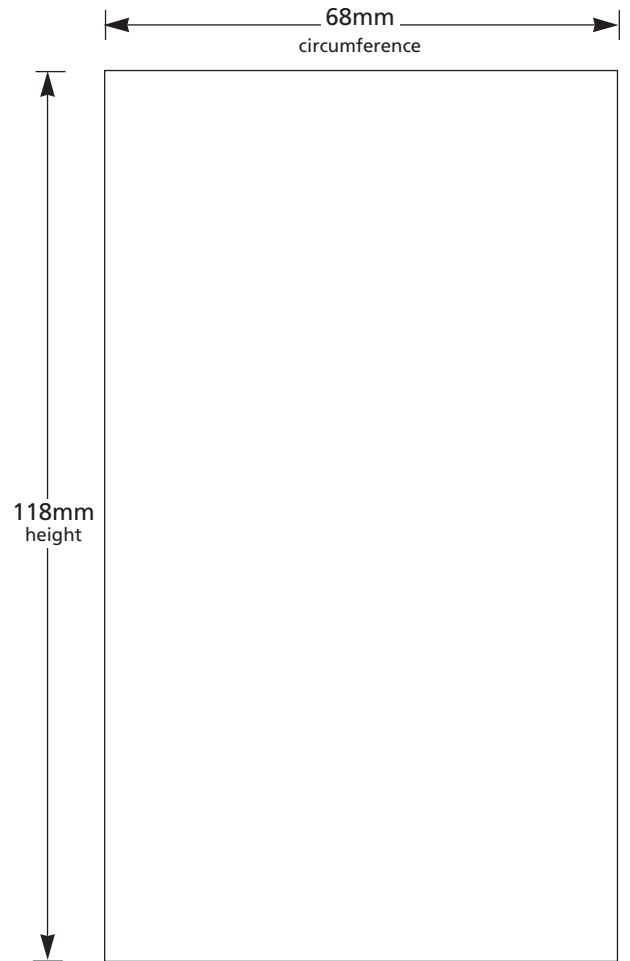
**SPF30+ Lip Balm Label**



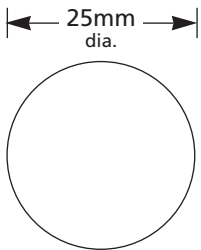
**Lip Balm Moisturiser only**



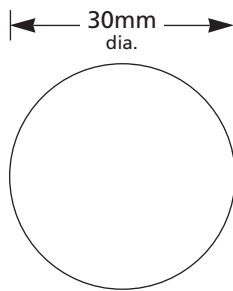
**Glass & Lens Cleaning Spray Label**



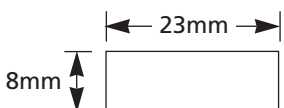
**WD Spray Label**



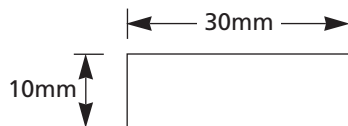
**5 gram Lip Balm Lid Label**



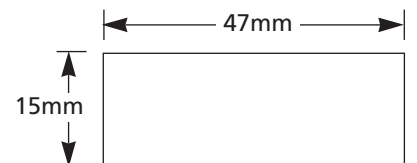
**10 gram Lip Balm Lid Label**



**SPF30+ Lip Balm**



**Sunscreen Lotion, Hand & Nail Cream, Heavy Duty Hand Cleaner**



**WD Spray**

# Artwork Specifications

Note that artwork specifications depend on the label printing method and this relates directly to the number of labels ordered. Pay careful attention to the specifications below to avoid delays in fulfilling your order. Please email if you need further clarification.

## Up to 999 labels: Digital print labels

- Delivery: 5-8 days from approval of artwork
- Digital printing: via PC environment...not MAC.
- Files: **EPS, or A I saved as vector art files**. If an image is the only option, a TIF file is preferred. Please do not send images contained inside documents or EPS files. If you cannot send files in the required format, digitising charges may apply.
- Please do not send JPG, PDF, GIF or PowerPoint files.
- Program: Corel 8
- Please nominate the PMS colours you require.
- All original fonts used on the job must be supplied on disk, Truetype fonts are acceptable. If possible, indicate the name of the font.
- Our system prints 300dpi. The image saved at a higher resolution will give a better quality print.
- Email attachments: should be no larger than 1MB (1000K) – save the file at a high resolution but use a small image size.

## Over 1,000 labels: Screen print or letterpress.

- Delivery 12-17 days from approval of artwork
- **A.** Logos are to be supplied as **Adobe Illustrator EPS** files
- **B.** Photos are to be supplied as **Photoshop TIF files or EPS files at 300 dpi**
- Artwork for printing with logo, text etc., to be supplied as **Adobe Illustrator EPS files** (no fonts all type as outlines)

**No other format is acceptable. If not supplied in correct format, your file will be returned and no work can be commenced until supplied as (A or B) above.**

- If single colour printing please indicate PMS colour
- If 4 colour printing ensure file is supplied in CMYK format.

**Contact your APPA Distributor for further information & ordering**